

Procam Controls, Inc.  
2605 Technology Drive  
Bldg. 300  
Plano, Texas 75074  
972.881.9797 ofc  
972.422.6262 fax

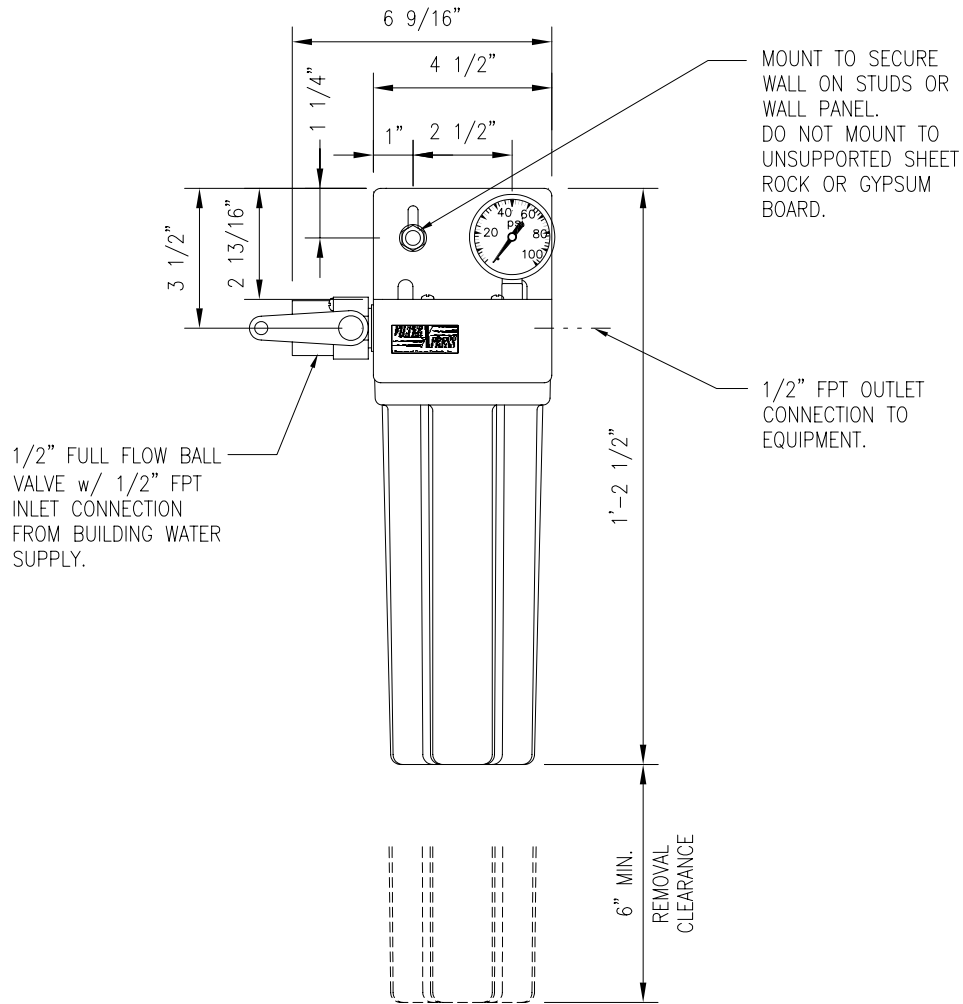
INSTALLATION SPECIFICATIONS

TITLE

OptiPure  
Filter Systems

SHEET: 1 of 4

MODEL NO.: FX-11  
FXC-11  
FXI-11  
FXCI-11  
FXS-11 W/O Gauge



MAX. PRESSURE: 125psi

MAX. TEMPERATURE: 100°F

WATER FILTRATION UNIT MUST BE INSTALLED ON THE COLD WATER SUPPLY ONLY.



Procam Controls, Inc.  
2605 Technology Drive  
Bldg. 300  
Plano, Texas 75074  
972.881.9797 ofc  
972.422.6262 fax

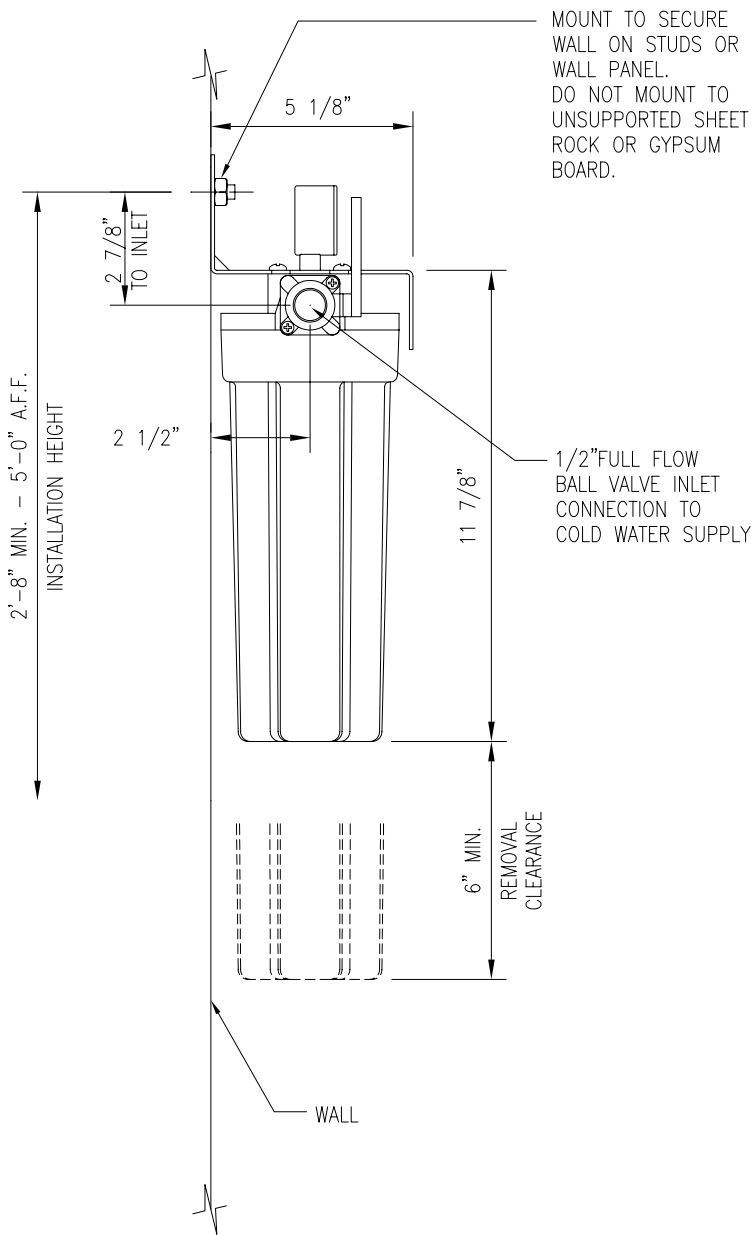
#### INSTALLATION SPECIFICATIONS

TITLE

**OptiPure  
Filter Systems**

SHEET: 2 of 4

MODEL NO.: FX-11  
FXC-11  
FXI-11  
FXCI-11  
FXS-11 W/0 Gauge



MOUNT TO SECURE WALL ON STUDS OR WALL PANEL.  
DO NOT MOUNT TO UNSUPPORTED SHEET ROCK OR GYPSUM BOARD.

1/2" FULL FLOW BALL VALVE INLET CONNECTION TO COLD WATER SUPPLY

MAX. PRESSURE: 125psi

MAX. TEMPERATURE: 100°F

WATER FILTRATION UNIT MUST BE INSTALLED ON THE COLD WATER SUPPLY ONLY.



Procam Controls, Inc.  
2605 Technology Drive  
Bldg. 300  
Plano, Texas 75074  
972.881.9797 ofc  
972.422.6262 fax

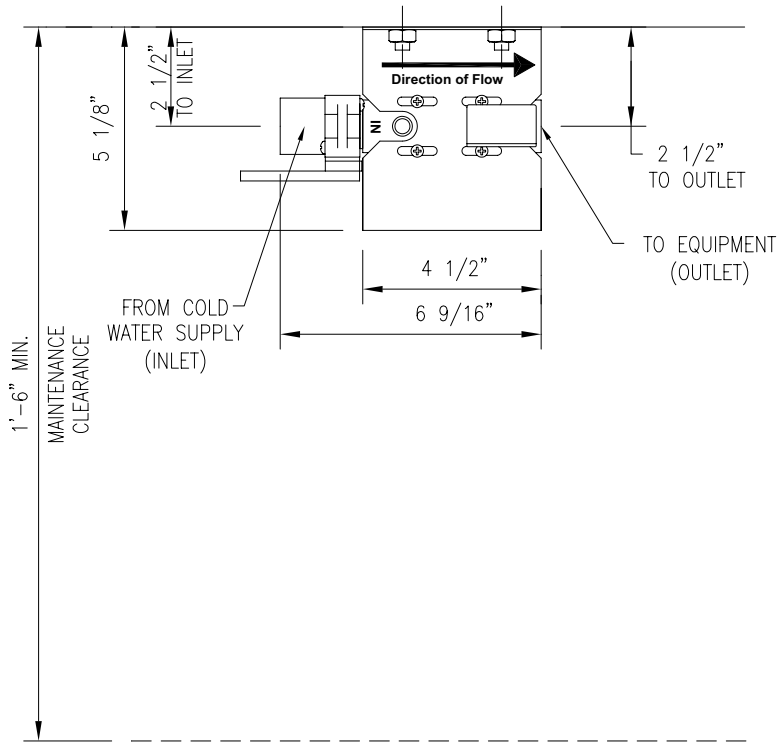
INSTALLATION SPECIFICATIONS

TITLE

OptiPure  
Filter Systems

SHEET: 3 of 4

MODEL NO.: FX-11  
FXC-11  
FXI-11  
FXCI-11  
FXS-11 W/0 Gauge



NOTE:  
DO NOT MOUNT FILTER ASSEMBLY  
BEHIND ICE MACHINE OR OTHER  
APPLIANCES THAT WOULD IMPEDE  
ACCESS FOR MAINTENANCE OF  
FILTRATION SYSTEM.

MAX. PRESSURE: 125psi

MAX. TEMPERATURE: 100°F

WATER FILTRATION UNIT MUST  
BE INSTALLED ON THE  
COLD WATER SUPPLY ONLY.



Procam Controls, Inc.  
2605 Technology Drive  
Bldg. 300  
Plano, Texas 75074  
972.881.9797 ofc  
972.422.6262 fax

INSTALLATION SPECIFICATIONS

TITLE

OptiPure  
Filter Systems

SHEET: 4 of 4

MODEL NO.: FX-11  
FXC-11  
FXI-11  
FXCI-11  
FXS-11 W/0 Gauge