

1/2" MPT ADAPTER  
REQ'D TO  
ADAPT TO  
FPT INLET.

1/2" MPT  
ADAPTER  
REQ'D TO  
ADAPT TO  
FPT OUTLET

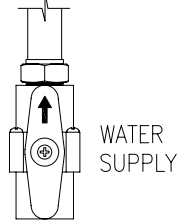
1/2" PIPE OR  
1/2" I.D. FLEXIBLE  
REINFORCED  
BEVERAGE TUBING  
FROM CHLORINATED  
MUNICIPAL WATER  
SUPPLY.

PROVIDE APPROPRIATE  
PIPE/TUBING FOR  
FILTERED AND  
TREATED WATER  
TO EQUIPMENT.

NOTE:  
DO NOT MOUNT FILTER  
ASSEMBLY BEHIND ICE  
MACHINE OR OTHER  
APPLIANCES THAT WOULD  
IMPEDE ACCESS FOR  
MAINTENANCE OF  
FILTRATION SYSTEM

2'-8" MIN. - 5'-0" A.F.F.  
INSTALLATION HEIGHT

INSTALL -MIN.-  
1/2" FULL FLOW  
BALL VALVE  
w/ 1/2" FPT  
INLET CONNECTION.  
(VALVE NOT INCL'D)



6" MIN.  
REMOVAL  
CLEARANCE

FLOOR LINE

MAX. PRESSURE: 125psi

MAX TEMPERATURE: 100°F

WATER FILTRATION UNIT  
MUST BE INSTALLED ON THE  
COLD WATER SUPPLY ONLY.



Procam Controls, Inc.  
2605 Technology Drive  
Bldg. 300  
Plano, Texas 75074  
972.881.9797 ofc  
972.422.6262 fax

INSTALLATION SPECIFICATIONS

TITLE

OptiPure  
Filter Systems

SHEET: 1 OF 4

MODEL NO.:  
FX-12, FXC-12,  
FXI-12, FXCI-12,  
FXS-12 W/O Gauge,  
FXAF-12 W/O Gauge.

MOUNTED TO  
SECURE WALL  
ON STUDS OR  
WALL PANEL -  
DO NOT MOUNT  
TO UNSUPPORTED  
SHEET-ROCK  
OR GYPSUM BOARD.

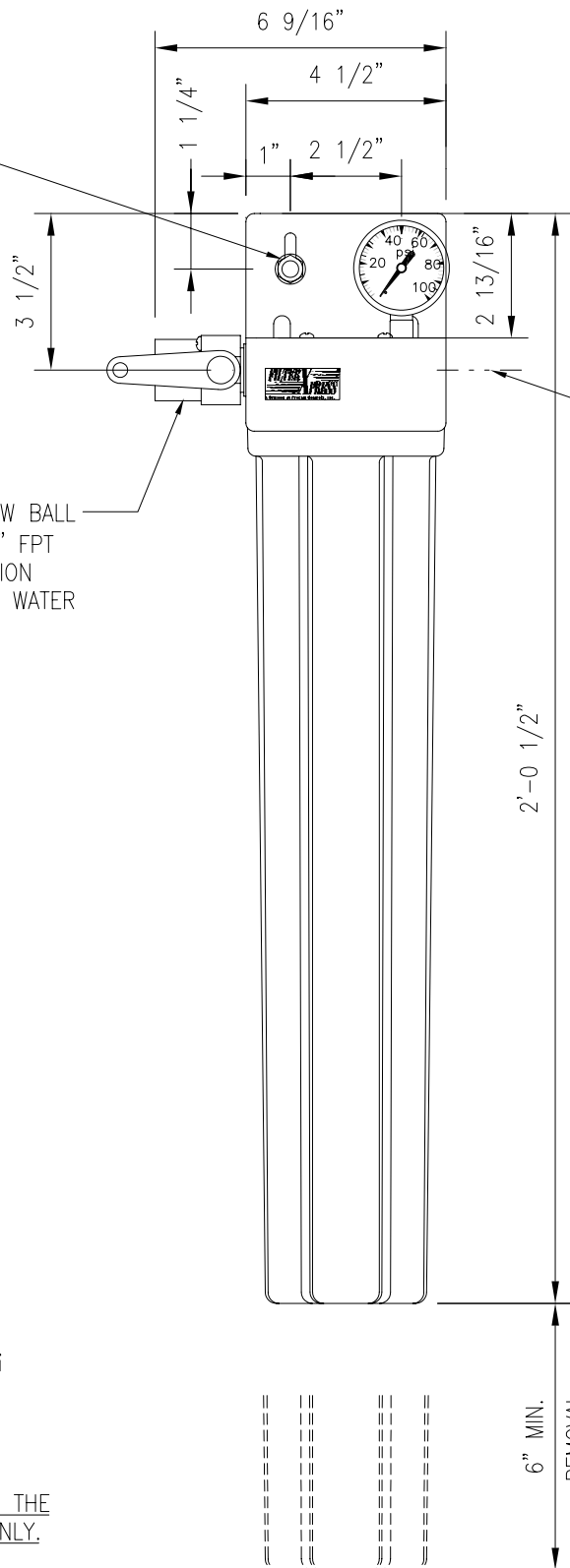
1/2" FULL FLOW BALL  
VALVE w/ 1/2" FPT  
INLET CONNECTION  
FROM BUILDING WATER  
SUPPLY.

1/2" FPT OUTLET  
CONNECTION TO  
EQUIPMENT.

MAX. PRESSURE: 125psi

MAX TEMPERATURE: 100°F

WATER FILTRATION UNIT  
MUST BE INSTALLED ON THE  
COLD WATER SUPPLY ONLY.



Procam Controls, Inc.  
2605 Technology Drive  
Bldg. 300  
Plano, Texas 75074  
972.881.9797 ofc  
972.422.6262 fax

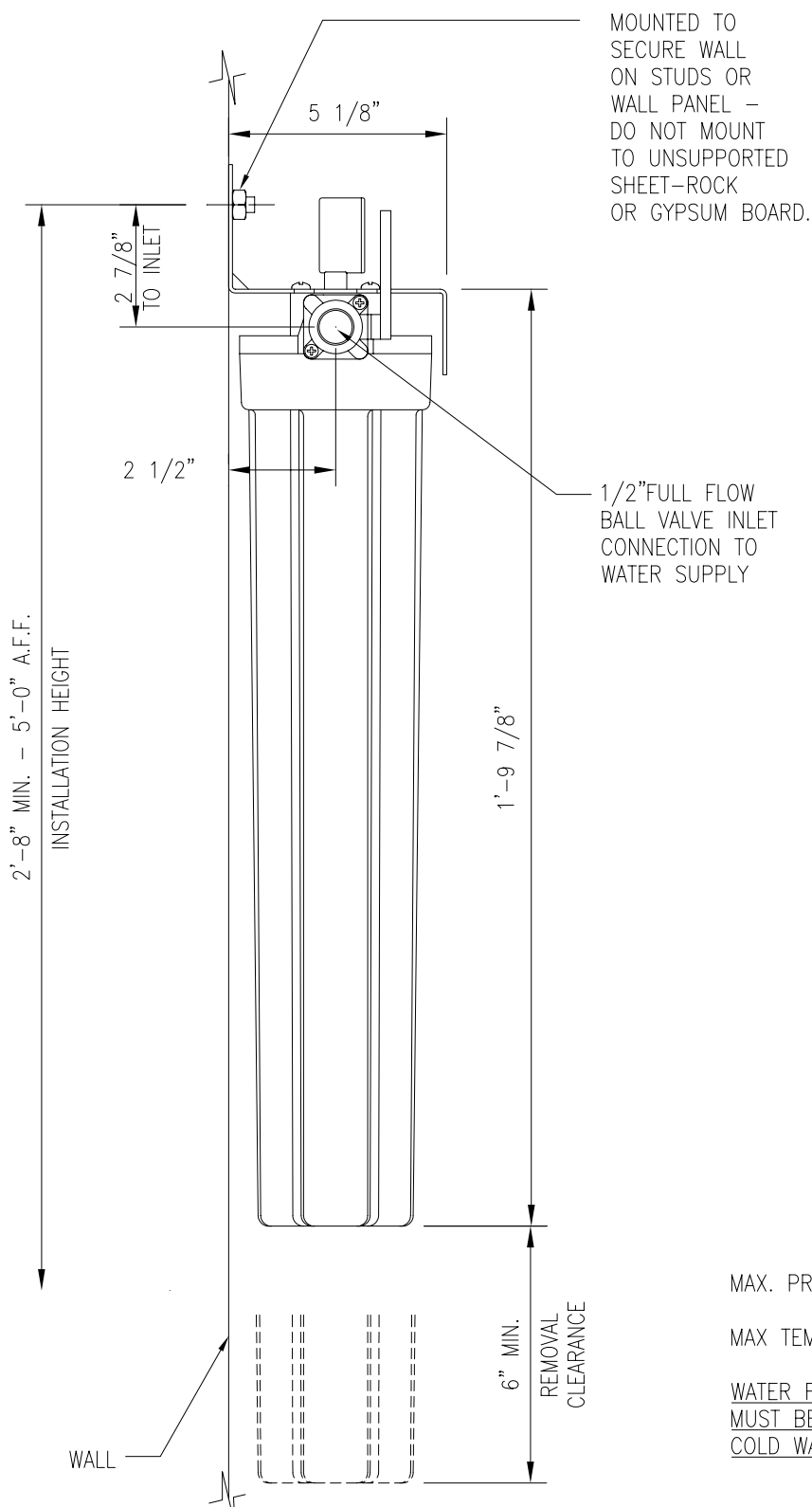
INSTALLATION SPECIFICATIONS

TITLE

OptiPure  
Filter Systems

SHEET: 2 OF 4

MODEL NO.:  
FX-12, FXC-12,  
FXI-12, FXCI-12,  
FXS-12 W/O Gauge,  
FXAF-12 W/O Gauge.



MAX. PRESSURE: 125psi

MAX TEMPERATURE: 100°F

WATER FILTRATION UNIT  
MUST BE INSTALLED ON THE  
COLD WATER SUPPLY ONLY.



Procam Controls, Inc.  
2605 Technology Drive  
Bldg. 300  
Plano, Texas 75074  
972.881.9797 ofc  
972.422.6262 fax

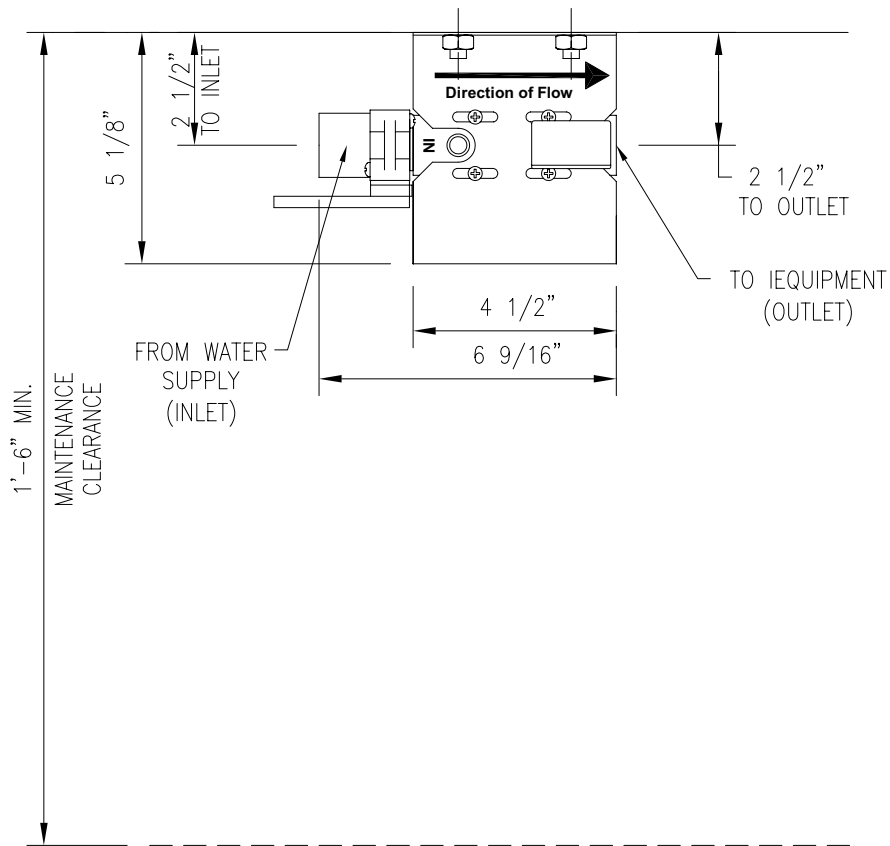
INSTALLATION SPECIFICATIONS

TITLE

**OptiPure  
Filter Systems**

SHEET: 3 OF 4

MODEL NO.:  
FX-12, FXC-12,  
FXI-12, FXCI-12,  
FXS-12 W/O Gauge,  
FXAF-12 W/O Gauge.



NOTE:  
DO NOT MOUNT FILTER ASSEMBLY  
BEHIND ICE MACHINE OR OTHER  
APPLIANCES THAT WOULD IMPEDE  
ACCESS FOR MAINTENANCE OF  
FILTRATION SYSTEM.

MAX. PRESSURE: 125psi

MAX TEMPERATURE: 100°F

WATER FILTRATION UNIT  
MUST BE INSTALLED ON THE  
COLD WATER SUPPLY ONLY.



Procam Controls, Inc.  
2605 Technology Drive  
Bldg. 300  
Plano, Texas 75074  
972.881.9797 ofc  
972.422.6262 fax

INSTALLATION SPECIFICATIONS

TITLE

**OptiPure  
Filter Systems**

SHEET: 4 OF 4

MODEL NO.:  
FX-12, FXC-12,  
FXI-12, FXCI-12,  
FXS-12 W/O Gauge,  
FXAF-12 W/O Gauge.