

Snapshot

The **FX-22BCMR** is a dual-housing water treatment system with drop-in 4.5" x 20" cartridges that reduces sediment down to 5 microns and reduces chlorine, chloramines, taste & odor at a flow rate of 5 gpm for 25,000 gallons. The system includes a granular catalytic carbon filter for reduction of chloramines.

System Benefits

- Improves quality and consistency of cold and hot beverages.
- Reduces maintenance frequency and cost, and extends equipment life.
- Catalytic-carbon filtration provides added protection against chloramines that may be present in water supplies.
- Gradient-density sediment filtration protects against dirt, rust and other debris down to 0.5 microns.
- Sturdy, powder-coated mounting bracket and full-flow inlet shut-off valve simplify installation.
- Built-in pressure gauge allows visual monitoring of when filters need to be changed.

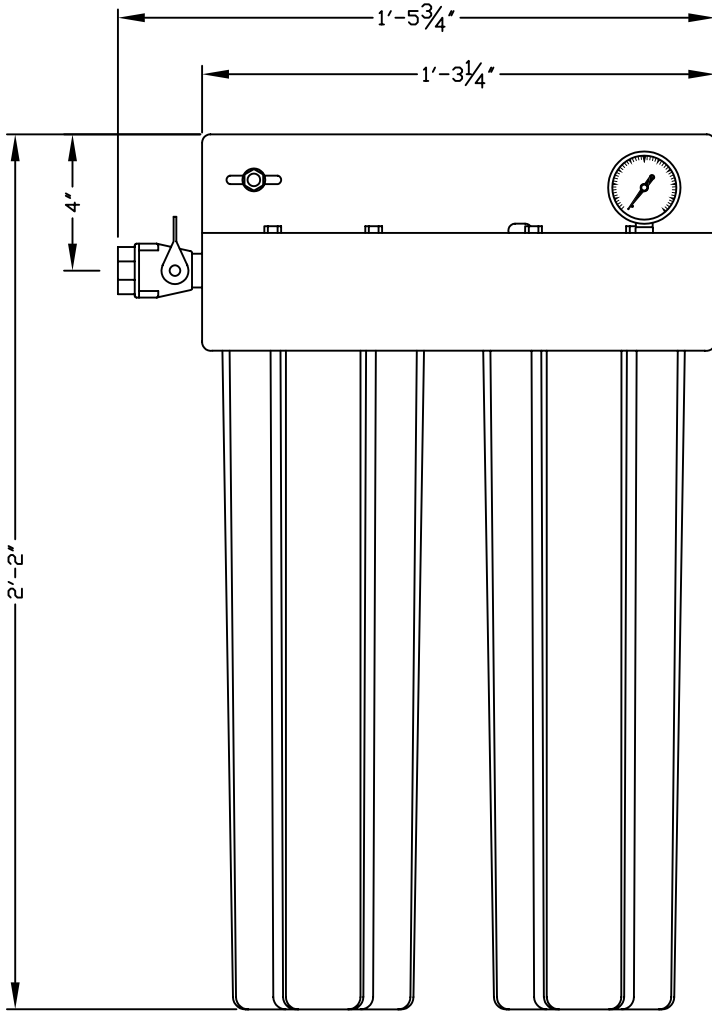


Application

FOUNTAIN BEVERAGES - Any application requiring chloramine reduction / multiple carbonators up to 5 gpm flow rate. Includes granular catalytic carbon filter for water supplies that use chloramines for disinfection.

Installation Tips

- Feed-water connection to system should be COLD only.
- Do not exceed system specifications for temperature and pressure.
- Allow 3" clearance below system for filter housing removal and cartridge replacement.
- Detailed installation, operation & maintenance manual included with each system.



Model FX-22BCMR is independently tested for:
Chlorine Reduction
Chloramine Reduction
Taste and Odor Reduction
Nominal Particulate Reduction

Dealer/Distributor Info:

► Specifications

System	
Dimensions (Height x Width x Depth, inches)	26" x 17-3/4" x 8-1/2"
Connection - Inlet & Outlet	3/4" NPT female
Operating Pressure Range	10-125 psi (0.7 -8.6 bar)
Inlet Water Temperature Range	35 - 100°F (2 - 38°C)
Shipping Weight	38 lbs.
Performance	
Chloramine, Chlorine, Taste and Odor Reduction Capacity >85+%	25,000 gals (94,635 liters)
Service Flow Rate	5.0 gpm (18.9 lpm)
Sediment Reduction	0.5 micron (nominal)

Optional Flush Valve Kit - Part #: 160-52914

► Replacement Cartridge(s)

Model	Part Number	Qty
CCM-20B	252-20605	1
CTO-20B	252-20420	1

It is recommended that filters be changed every six months, when capacity is reached or when effluent pressure or flow becomes inadequate.

This product is for commercial use only and must be installed and maintained according to manufacturer's guidelines.

Do not use on water that is microbiologically unsafe or of unknown quality without adequate disinfection before or after the system.

► Warranty

Systems have a 3-year warranty against defects in material and workmanship. For complete warranty information, contact OptiPure customer service.

OptiPure, a division of AQUION
2605 Technology Dr., Bldg 300 Plano, TX 75074
p: 972.881.9797; f: 972.422.6262
e: info@optipure.net www.optipurewater.com