

# OptiPure

Model: **OS.29**  
Part #: 165-01009

## Snapshot

The **OptiSoft Water Softener Model OS.29** is designed to remove or reduce calcium and magnesium and hardness minerals from water eliminating problems associated with the formation and accumulation of scale deposits. Scale forming minerals can be removed through ion exchange. For applications where a managed amount of hardness minerals is desired, the OptiSoft OS.29 is equipped with precision blending allowing the operator to reliably customize the amount of hardness in the treated water. The system utilizes an electronic controller for simple setup and user interface. The OS.29 is suitable for both cold and/or hot water up to 149° F.

## System Benefits

- Removes hardness minerals that cause scale formation in equipment and spotting on dishes, glasses and flatware.
- Prevents scale build-up on elements and wettened surfaces.
- Reduces maintenance frequency and cost, and extends equipment life.
- Compact, space-saving design allows system to be placed under counter or workspace.
- Heat tolerant and corrosion resistant vinyl ester tanks and high temperature strong-acid-based ion exchange resin provides years of performance without compromise at water temperatures up to 149° F (65° C).
- Electronic control valve is easily set to water hardness level for automatic, volume-initiated regeneration and interruption free service along with water and salt savings.
- Integrated bypass valve assembly includes; precision blending valve, non-return check valves and 3/4" MNPT I/O.
- Includes two 3/4" FNPT x 24" long, stainless steel flex connectors.

ITEM #: \_\_\_\_\_ QTY: \_\_\_\_\_  
JOB NAME/NUMBER: \_\_\_\_\_



## Application

Any application requiring hardness and/or iron removal or managed hardness reduction.

- Warewashing Equipment
- Tea Brewers
- Coffee Brewers

Can be used with hot or cold water supplies.

## Installation Tips

- Feed-water connection to system should not exceed 149° F (65° C).
- Do not exceed system specifications for temperature and pressure.
- Protect from freezing, system should never be exposed to temperatures below 35° F (2° C).
- Detailed installation, operation and maintenance manual are included with each system.
- Installation and use MUST comply with all state and local plumbing codes.

# OptiPure

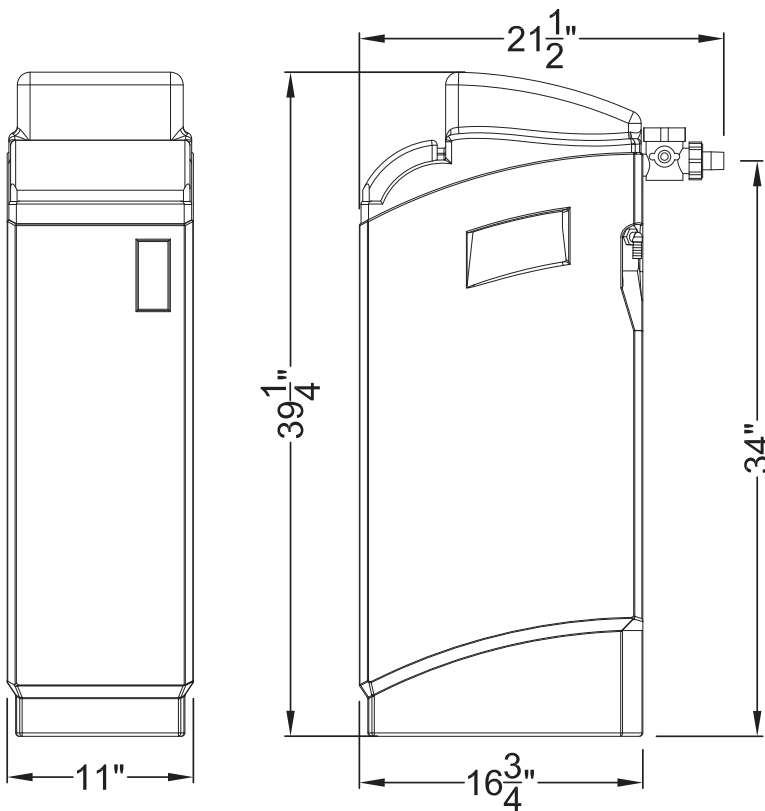
Model: **OS.29**  
Part #: 165-01009

## ► Specifications

System	
Dimensions (Height x Width x Depth, Inches)	39.3"h x 11.0"w x 21.5"d
Connection - Inlet & Outlet	3/4" FNPT
Hot Water Operating Pressure <small>*Pressure over 73 psi requires regulation.</small>	20 - 73* psi (1.4 - 5.18 bar)
Cold Water Operation Pressure	20 - 120 psi (1.4 - 8.27 bar)
Inlet Water Temperature Range	35° - 149°F (2° - 65°C)
Shipping Weight	79 lbs.
Electric Connection <small>(Supplied with 24V Transformer)</small>	120V 60Hz
Performance	
Nominal Hardness Reduction <small>*Performance depends on operating conditions and water chemistry.</small>	18,300 grains / Regen*
Service Flow Rate	11.4 gpm (43 lpm)
Brine Tank Capacity (Salt)	77 lbs. (35kg)

## ► Options

Model	Description	Part Number
H2O Express Kit	Hardness Test Kit	180-80120



**WARNING:**  
Cancer and Reproductive Harm -  
[www.P65Warnings.ca.gov](http://www.P65Warnings.ca.gov).

## ► Warranty

All system components and assembly except for filter cartridges, separation membranes, permeate pumps, electric motors, diaphragm pumps, and rotary vane pumps shall be warranted against defects in workmanship for a period of 60 months from the date of original shipment. For complete warranty information, contact OptiPure customer service or go to [www.optipurewater.com](http://www.optipurewater.com).

Dealer/Distributor Info:

This product is for commercial use only and must be installed and maintained according to manufacturer's guidelines.

Do not use on water that is microbiologically unsafe or of unknown quality without adequate disinfection before or after the system.

## OptiPure, A Division of Aquion, Inc.

101 S. Gary Ave., Suite A  
Roselle, IL 60172

p: 972.881.9797 e: [info@optipure.net](mailto:info@optipure.net)  
[www.optipurewater.com](http://www.optipurewater.com)