

OptiPure

Snapshot

The FX-22PCR+ is a high-flow, triple-housing water treatment system with drop-in 4.5" x 20" cartridges, which reduces sediment down to 5-microns and reduces chlorine, chloramine, taste & odor at a flow rate of 5.0 gpm for 100,000-gallons. The system includes powdered catalytic carbon filtration for reduction of chloramine.

System Benefits

- Improves quality and consistency of cold and hot beverages.
- Reduces maintenance frequency and cost, and extends equipment life.
- Reduces corrosion and elastomer damage caused by chloramines.
- Catalytic-carbon filtration provides added protection against chloramines that may be present in water supplies.
- Gradient-density sediment filtration protects against dirt, rust and other debris down to 5-microns.
- Sturdy, powder-coated mounting bracket, full-flow inlet shut-off valve and depressurization valves simplify installation.
- Stainless-steel hose-barb adapters are included for 1/2" ID beverage tubing.
- Built-in pressure gauges allow visual monitoring of when filters need to be changed.
- Certified to NSF/ANSI Standard 42.



Model: **FX-22PCR+**

Part #: 160-50055

ITEM #: _____ QTY: _____

JOB NAME/NUMBER: _____



Application

FOUNTAIN BEVERAGES - Any application requiring chloramine reduction / multiple carbonators up to 5.0 gpm flow rate.

STEAM OVENS - Any application up to 5.0 gpm flow rate. Utilizes powdered catalytic carbon filtration for water supplies that use chloramine for disinfection.

Installation Tips

- Feed-water connection to system should be COLD only.
- Do not exceed system specifications for temperature and pressure.
- Allow 3" clearance below system for filter housing removal and cartridge replacement.
- Detailed installation, operation and maintenance manual included with each system.



Model: **FX-22PCR+**
Part #: 160-50055

► Specifications

System	
Dimensions (Height x Width x Depth, Inches)	28.8"hx 23.5"w x 12.5"d
Connection - Inlet & Outlet Stainless Steel Beverage Tubing Hose Barb Adapters included.	3/4" NFPT or 1/2" Hose Barbs
Operating Pressure Range	10 - 100 psi (0.7 - 6.9 bar)
Inlet Water Temperature Range	35° - 100° F (2° - 38° C)
Shipping Weight	50 lbs.
Performance	
Chloramine, Chlorine, Taste & Odor Reduction Capacity >85+%	100,000 gals. (378,541 L)
Service Flow Rate	5.0 gpm (18.9 lpm)
Sediment Reduction*	5 microns (nominal)

*Independently tested for nominal particulate reduction.

► Replacement Cartridge(s)

Model	Description	Part Number	Qty
CTO-20B	Filter	252-20420	1
CTO-20B	Filter	252-20605	2

► Options

Model	Description	Part Number
Flush Valve Kit	FX Flush Valve Kit	160-52910

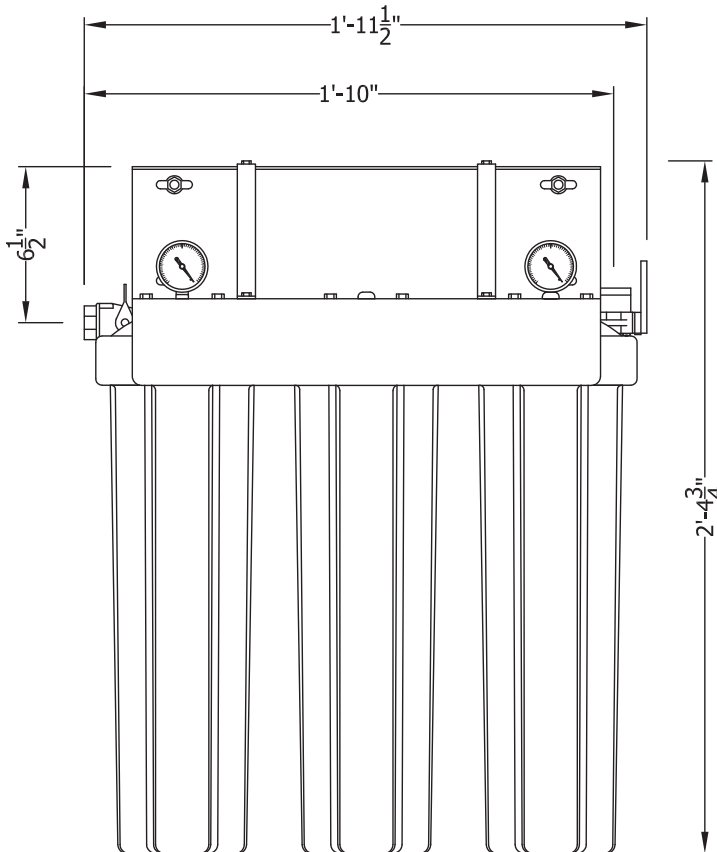
It is recommended that pre/post-filters and mineral addition cartridges are changed every 6 months, when capacity is reached or when feedwater pressure or flow becomes inadequate.

Membrane life varies depending on feedwater conditions and pre-filter maintenance. It is 12-18 months under typical conditions, but it can be as long as 3-5 years.

This product is for commercial use only and must be installed and maintained according to manufacturer's guidelines.

Do not use on water that is microbiologically unsafe or of unknown quality without adequate disinfection before or after the system.

OptiPure, A Division of Aquion, Inc.
101 S. Gary Ave., Suite A
Roselle, IL 60172
p: 972.881.9797 e: info@optipure.net
www.optipurewater.com



Model FX-22PCR+ is tested and certified by IAPMO R&T to NSF/ANSI Standard 42 for the reduction of Chloramines, Chlorine, Taste and Odor, and Aesthetic Effects.



WARNING:
Cancer and Reproductive Harm -
www.P65Warnings.ca.gov.

► Warranty

All system components and assembly except for filter cartridges, separation membranes, permeate pumps, electric motors, diaphragm pumps, and rotary vane pumps shall be warranted against defects in workmanship for a period of 60 months from the date of original shipment. For complete warranty information, contact OptiPure customer service or go to www.optipurewater.com.

Dealer/Distributor Info: