

OptiPure

Model: **QTCR-1**
Part #: 160-52131

Snapshot

The QTCR-1 is a single-cartridge water treatment system with one 15" Qwik-Twist cartridge that reduces sediment down to 5.0-microns, and reduces chlorine, taste & odor, and chloramine at a flow rate of 1.7 gpm for 10,000 gallons.

System Benefits

- Reduces maintenance frequency and cost, and extends equipment life.
- Sediment filtration protects against dirt, rust and other debris.
- High-capacity catalytic activated-carbon filtration reduces chloramines and chlorine
- Sturdy, power-coated mounting bracket and full-flow inlet shut-off valve simplify installation.
- Built-in pressure gauge allows visual monitoring of when filters need to be changed.
- Utilizes Qwik-Twist cartridges that make changing filters quick, easy and sanitary.
- IAPMO certified to NSF/ANSI standard 42.



ITEM #: _____ QTY: _____
JOB NAME/NUMBER _____



Application

FOUNTAIN BEVERAGES - One carbonator

COFFEE & TEA - Applications where water hardness is not a problem

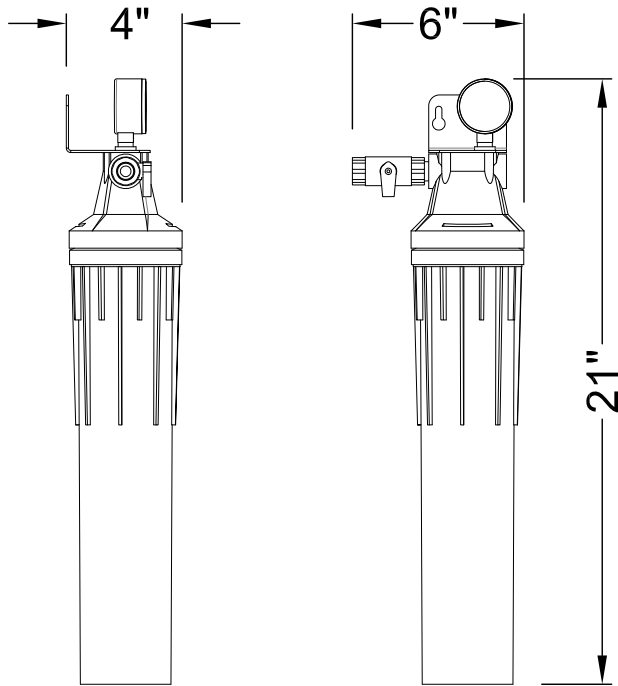
DRINKING WATER

Installation Tips

- Feed-water connection to system should be COLD only.
- Do not exceed system specifications for temperature and pressure.
- Allow 3" clearance below system for filter cartridge removal and replacement.
- Detailed installation, operation and maintenance manual included with each system.
- No activation procedure or flushing required for system to perform as specified.

OptiPure

Model: **QTCR-1**
Part #: 160-52131



► Specifications

System	
Dimensions (Height x Width x Depth, Inches)	21" x 6" x 4"
Connection - Inlet & Outlet	3/8" FNPT
Operating Pressure Range	10 - 125 psi (0.7 - 8.6 bar)
Inlet Water Temperature Range	35° - 100°F (2° - 38°C)
Shipping Weight	5 lbs.
Performance	
Chloramine, Chlorine, Taste and Odor reduction Capacity	10,000 gals. (37,850 L)
Service Flow Rate	1.7 gpm (6.4 lpm)
Sediment Reduction	5.0 microns (nominal)

► Replacement Cartridge(s)

Model	Part Number	Qty
CTO-QCR2	300-05833	1

► Options

Model	Description	Part Number
Flush Valve Kit	QT Flush Valve Kit	160-52912

It is recommended that pre/post-filters and mineral addition cartridges are changed every 6 months, when capacity is reached or when feedwater pressure or flow becomes inadequate.

Membrane life varies depending on feedwater conditions and pre-filter maintenance. It is 12-18 months under typical conditions, but it can be as long as 3-5 years.

This product is for commercial use only and must be installed and maintained according to manufacturer's guidelines.

Do not use on water that is microbiologically unsafe or of unknown quality without adequate disinfection before or after the system.



System certified by IAPMO R and T to NSF/ANSI standard 42 for the reduction of Chloramine, Chlorine, Taste, Odor and Particulate Class III.



WARNING:
Cancer and Reproductive Harm -
www.P65Warnings.ca.gov.

► Warranty

All system components and assembly except for filter cartridges, separation membranes, permeate pumps, electric motors, diaphragm pumps, and rotary vane pumps shall be warranted against defects in workmanship for a period of 60 months from the date of original shipment. For complete warranty information, contact OptiPure customer service or go to www.optipurewater.com.

Dealer/Distributor Info:

OptiPure, A Division of Aquion, Inc.

101 S. Gary Ave., Suite A
Roselle, IL 60172

p: 972.881.9797 e: info@optipure.net
www.optipurewater.com