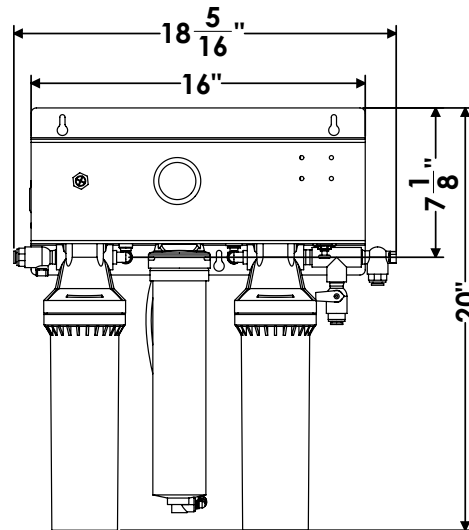
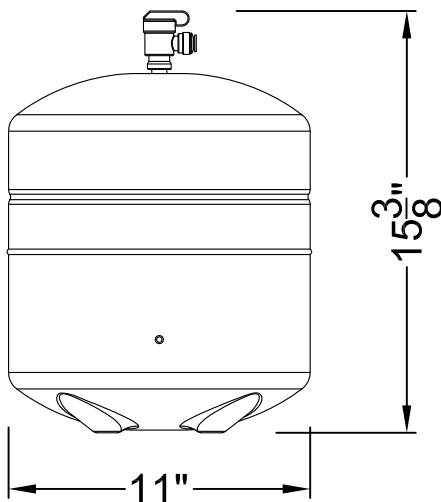


9" Deep

Water Processor



Storage Tank Assembly



► Pre-Installation Requirements

System Placement

- The Water Processor is heavy and must be mounted where it is well-supported, using wall studs, or on a 3/4"-thick panel of plywood anchored to the wall studs.
- The Storage Tank Assembly must be located within 10 feet of the water processor. The floor must be smooth, clean and free of sharp objects that could puncture the bottom of the tank.

Feed water connection

- Adequate flow and pressure to the unit is critical. Run a 1/2" cold water line with a full flow ball valve with 1/2" FPT (Female Pipe Thread) connection to the vicinity of the unit. Feed water pressure should be between 50-85 psi.
- Backflow Device – Any backflow devices required by local or state code must be supplied prior to installation.

Drain

- A drain with a minimum flow rate of 2 gpm should be located within 6 feet of the unit. Drain line from processor is 1/4" tubing. Comply with local plumbing codes – most require the installation of an approved air gap.

NOTE: If BWS100 Boost Pump is to be installed, refer to the Installation/Owners manual for dimensions and installation configurations.

OptiPure, A Division of Aquion, Inc.

101 S. Gary Ave., Suite A

Roselle, IL 60172

p: 972.881.9797 e: info@optipure.net

www.optipurewater.com