

# OptiPure

## Snapshot

The OptiPure® **OPSCR70/10** utilizes Reverse Osmosis (RO) to remove >97% of the Total Dissolved Solids (TDS) from water. Then a balance of minerals is dissolved into the RO water to provide optimized water with desirable TDS for the recommended applications. The system can produce up to 75-gallons per day operating at line-pressure and includes an integrated pre-filter to protect the RO membrane against sediment and chlorine and post filter for chloramine reduction. The OPS70CR/10 includes a hydropneumatic storage tank that holds up to 10-gallons when full to meet the specific demand requirements. The system also has a built-in manual bypass valve. The compact design can be wall-mounted or installed under counter and comes with tubing and fittings required for installation.

## System Benefits

- Significantly reduces scale and corrosion problems related to high TDS, water hardness and chlorides.
- Ideal for combi and steam oven applications where TDS, chloride and hardness reduction are necessary to meet manufacturer warranty requirements.
- Integrated mineral-addition cartridge provides TDS needed for equipment sensors and buffers against aggressive nature of RO water.
- High capacity pre-filter and post filter protects the membrane against damage from sediment and chlorine and reduces chloramine.
- Sealed hydropneumatic storage tank provides needed capacity and pressure to downstream equipment.
- Optimized water line to equipment is ½" ID hose. A ¾" Garden Hose Thread (GHT) connector is provided for connection to equipment when applicable.
- Integrated system bypass valve eliminates costly service interruptions and down-time.
- Compact, modular design allows installation under counters and in tight spaces.
- Non-electric design operates on available water pressure.
- Simple, easy-to-install and service design.

Model: **OPS70CR/10**

Part #: **164-01510**

ITEM #: \_\_\_\_\_ QTY: \_\_\_\_\_

JOB NAME/NUMBER: \_\_\_\_\_



## Application

Combi Ovens  
Steam Ovens  
Proofers and Humidifiers

## Installation Tips

- Feed-water connection to system should be COLD only.
- Do not exceed system specifications for temperature and pressure.
- Provide a dedicated feed water supply of at least 3/8" I.D.
- For use with steam generation only. Do not use for condensate or wash-water.
- Allow 3" clearance below system for filter cartridge removal and replacement.
- Detailed, illustrated installation guide is included with each system.

# OptiPure

Model: **OPS70CR/10**

Part #: 164-01510

## ► Specifications

| System   |   |
|--|---|
| Dimensions - Processor   | 14.4"h x 10.8"w x 6.9"d                   |
| Dimensions - Tank  | 23.3"h x 15.6"dia.                        |
| Connection - Feedwater   | 3/8" Push Fit Tubing                      |
| Operating Pressure Range   | 60 - 85 psi at 0.5 gpm<br>(3.5 - 5.9 bar) |
| Inlet Water Temperature Range  | 40° - 100°F<br>(4° - 38°C)                |
| Shipping Weight  | 30 lbs.                                   |
| Drain Connection   | 2.0 gpm<br>Minimum Flow                   |
| Performance  |   |
| Typical TDS Rejection  | >97%                                      |
| Product Water Production<br>(at 77°F, 60 psi Net Operating Pressure)<br>Production rate is strictly dependent on<br>feed water temperature and pressure. | 70.0 gals./day<br>2.9 gals./hr            |
| Storage Tank Capacity  | 10 gals.                                  |

## ► Replacement Media

| Model     | Description       | Part Number | Qty |
|-----------|-------------------|-------------|-----|
| CTO-Q10   | Pre-Filter        | 300-05828   | 1   |
| ILMA-6.14 | Mineral Cartridge | 252-70260   | 1   |
| AMS-QT10  | Membrane          | 204-52810   | 1   |
| CTO-Q10CR | Pre/Post-Filter   | 300-05821   | 1   |

## ► Options

| Model  | Description             | Part Number |
|--------|-------------------------|-------------|
| PRV    | Pressure Reducing Valve | 164-89938   |
| BPS100 | Booster Pump Assembly   | 164-85010   |

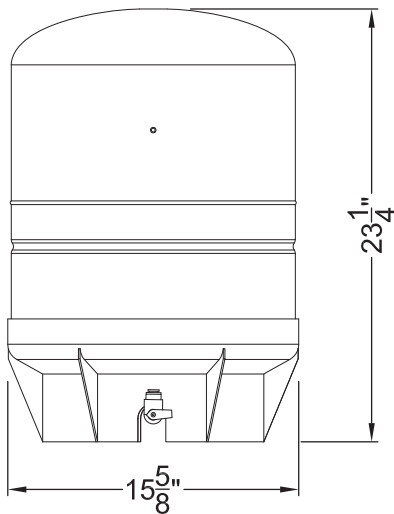
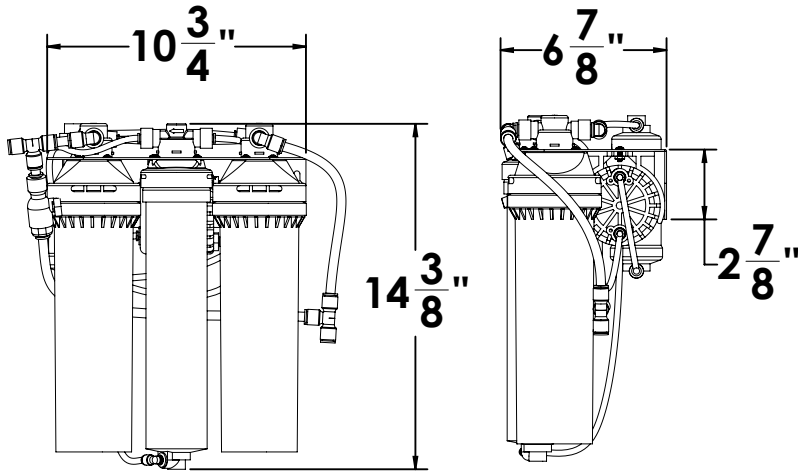
It is recommended that pre/post-filters and mineral addition cartridges are changed every 6 months, when capacity is reached or when feedwater pressure or flow becomes inadequate.

Membrane life varies depending on feed water conditions and pre-filter maintenance. It is recommended to replace the membrane every 18 months.

This product is for commercial use only and must be installed and maintained according to manufacturer's guidelines.

Do not use on water that is microbiologically unsafe or of unknown quality without adequate disinfection before or after the system.

**OptiPure, A Division of Aquion, Inc.**  
101 S. Gary Ave., Suite A  
Roselle, IL 60172  
p: 972.881.9797 e: info@optipure.net  
[www.optipurewater.com](http://www.optipurewater.com)



### Feed-Water Chemistry

|                  |                   |
|------------------|-------------------|
| Feed TDS         | Up to 1200 ppm    |
| Feed pH          | 6-10 units        |
| Hardness*        | 12 grains or less |
| Free Chlorine    | <2 mg/l           |
| Iron             | 0.1 mg/l max      |
| Turbidity        | 0.05 NTU          |
| Manganese        | 0.05 mg/l max     |
| Hydrogen Sulfide | 0.0 mg/l          |

\*For water outside of these parameters call OptiPure technical service.



## ► Warranty

All system components and assembly except for filter cartridges, separation membranes, permeate pumps, electric motors, diaphragm pumps, and rotary vane pumps shall be warranted against defects in workmanship for a period of 60 months from the date of original shipment. For complete warranty information, contact OptiPure customer service or go to [www.optipurewater.com](http://www.optipurewater.com).

Dealer/Distributor Info: