

OptiPure

Snapshot

The OptiPure® **BWS175/10** utilizes Reverse Osmosis (RO) to remove >97% of the Total Dissolved Solids (TDS) from water. Then, a balance of minerals is dissolved into the RO water, followed by a precision blend valve for further TDS adjustment, to provide optimized water with desirable TDS for recommended applications. An integrated monitor displays optimized water TDS at any time. The system can produce up to 175-gallons per day operating at line-pressure and includes an integrated pre-filter which reduces sediment and chlorine. The BWS175/10 includes an operating pressure gauge and a hydropneumatic storage tank that holds up to 10-gallons to meet specific demand requirements. The system also has a built-in manual bypass valve. The compact design can be wall-mounted or installed under the counter and comes with tubing and fittings required for installation.

System Benefits

- Significantly reduces scale and corrosion problems related to high TDS, water hardness and chlorides.
- Ideal for coffee and espresso applications where mineral content and precision TDS management are desirable.
- Integrated mineral-addition cartridge provides TDS needed for conductivity sensors and optimal mineral content for coffee and espresso applications.
- Precision blend valve enables quick and simple adjustment and maintains consistent TDS.
- Water quality monitor displays optimized water TDS at the push of a button.
- High capacity pre-filter takes out sediment and chlorine and protects the RO membrane.
- Operating pressure gauge allows visual monitoring of system production and pre-filter condition.
- Sealed hydropneumatic storage tank provides needed capacity and delivers pressurized water to downstream equipment.
- Integrated system bypass valve eliminates costly service interruptions and down-time.
- Compact, modular design utilizes installation under counters and in tight spaces.
- Non-electric design operates on available water pressure.
- Simple, easy-to-install and service design.

Model: **BWS175/10**

Part #: **164-01610**

ITEM #: _____ QTY: _____

JOB NAME/NUMBER: _____



Application

Coffee

Espresso

Tea

Any application where it is desirable to remove existing TDS (total dissolved solids) and precision TDS management is required.

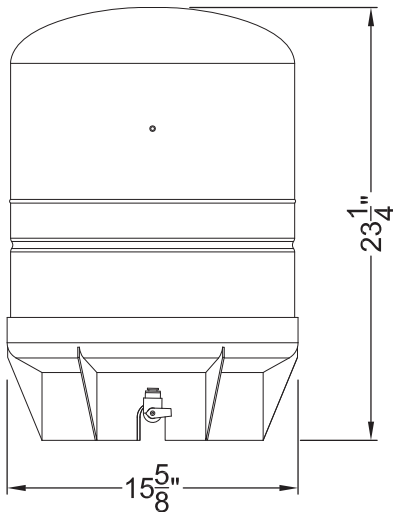
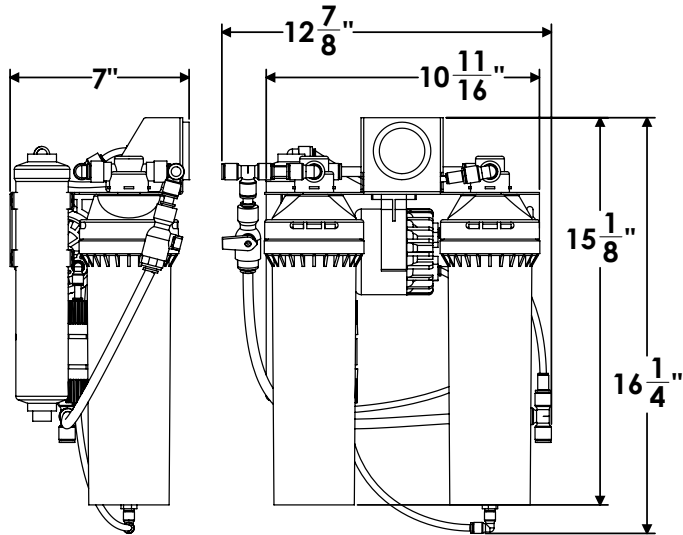
Installation Tips

- Feed-water connection to system should be COLD only.
- Do not exceed system specifications for temperature and pressure.
- Provide a dedicated feed water supply of at least 3/8" I.D.
- For use with steam generation only. Do not use for condensate or wash-water.
- Allow 3" clearance below system for filter cartridge removal and replacement.
- Detailed, illustrated installation guide is included with each system.



Model: **BWS175/10**
Part #: 164-01610

► Specifications



Feed-Water Chemistry

Feed TDS	Up to 1200 ppm
Feed pH	6-10 units
Hardness*	12 grains or less
Free Chlorine	<2 mg/l
Iron	0.1 mg/l max
Turbidity	0.05 NTU
Manganese	0.05 mg/l max
Hydrogen Sulfide	0.0 mg/l

*For water outside of these parameters call OptiPure technical service.



System	
Dimensions - Processor	16.3"h x 12.9"w x 7"d
Dimensions - Tank	23.3"h x 15.6"dia.
Connection - Feedwater	3/8" Push Fit Tubing
Operating Pressure Range	60 - 85 psi at 0.5 gpm (3.5 - 5.9 bar)
Inlet Water Temperature Range	40° - 100°F (4° - 38°C)
Shipping Weight	30 lbs.
Drain Connection	2.0 gpm Minimum Flow
Performance	
Typical TDS Rejection	>97%
Product Water Production (at 77°F, 60 psi Net Operating Pressure) Production rate is strictly dependent on feed water temperature and pressure.	175.0 gals./day 7.3 gals./hr
Storage Tank Capacity	10 gals.

► Replacement Media

Model	Description	Part Number	Qty
CTO-Q10	Pre-Filter	300-05828	1
AMS-QT15	Membrane	204-52820	1
ILMA-10.14	Mineral Addition	252-70255	1

► Options

Model	Description	Part Number
PRV	Pressure Reducing Valve	164-89938
BPS100	Booster Pump Assembly	164-85010

It is recommended that pre/post-filters and mineral addition cartridges are changed every 6 months, when capacity is reached or when feedwater pressure or flow becomes inadequate.

Membrane life varies depending on feed water conditions and pre-filter maintenance. It is recommended to replace the membrane every 18 months.

This product is for commercial use only and must be installed and maintained according to manufacturer's guidelines.

Do not use on water that is microbiologically unsafe or of unknown quality without adequate disinfection before or after the system.

OptiPure, A Division of Aquion, Inc.
101 S. Gary Ave., Suite A
Roselle, IL 60172
p: 972.881.9797 e: info@optipure.net
www.optipurewater.com

► Warranty

All system components and assembly except for filter cartridges, separation membranes, permeate pumps, electric motors, diaphragm pumps, and rotary vane pumps shall be warranted against defects in workmanship for a period of 60 months from the date of original shipment. For complete warranty information, contact OptiPure customer service or go to www.optipurewater.com.

Dealer/Distributor Info: