

OptiPure

Model: **QT10-3**
Part #: 170-52029

Snapshot

The QT10-3 is a triple-cartridge water treatment system with parallel-plumbed 10" Qwik-Twist cartridges that reduces sediment down to 0.5-microns and reduces chlorine, taste & odor at a flow rate of 4.5 gpm for 45,000-gallons.

System Benefits

- Reduces maintenance frequency and cost, and extends equipment life.
- Gradient-density sediment filtration protects against dirt, rust and other debris.
- High-capacity activated-carbon filtration makes water taste great and protects equipment against corrosive chlorine.
- New manifold design provides fewer possible leak points.
- Sturdy, powder-coated mounting bracket and multi-function valve simplify installation.
- Multi-function valve provides:
 - * Shutoff valve for quick and simple filter replacements
 - * System bypass valve for easy system maintenance
 - * Flush port to flush cartridges after installation
- Built-in pressure gauge allows visual monitoring of when filters need to be changed.
- Utilizes Qwik-Twist cartridges that make changing filters quick, easy and sanitary.

ITEM #: _____ QTY: _____
JOB NAME/NUMBER _____



Application

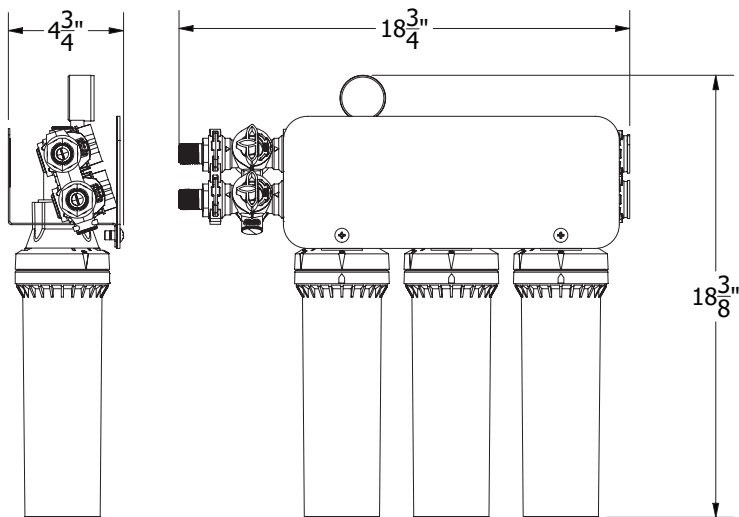
FOUNTAIN BEVERAGES - Single carbonator.
COMBINATION APPLICATIONS

Installation Tips

- Feed-water connection to system should be COLD only.
- Do not exceed system specifications for temperature and pressure.
- Allow 3" clearance below system for filter cartridge removal and replacement.
- Detailed installation, operation and maintenance manual included with each system.
- No activation procedure or flushing required for system to perform as specified.



Model: **QT10-3**
Part #: 170-52029



WARNING:
Cancer and Reproductive Harm -
www.P65Warnings.ca.gov.

Warranty

All system components and assembly except for filter cartridges, separation membranes, permeate pumps, electric motors, diaphragm pumps, and rotary vane pumps shall be warranted against defects in workmanship for a period of 60 months from the date of original shipment. For complete warranty information, contact OptiPure customer service or go to www.optipurewater.com.

Dealer/Distributor Info:

Specifications

| System | |
|---|------------------------------|
| Dimensions (Height x Width x Depth, Inches) | 18 3/8" x 18 3/4" x 4 3/4" |
| Connection - Inlet & Outlet | 1/2" MNPT |
| Operating Pressure Range | 10 - 125 psi (0.7 - 8.6 bar) |
| Inlet Water Temperature Range | 35° - 100°F (2° - 38°C) |
| Shipping Weight | 13 lbs. |
| Performance | |
| Chlorine, Taste and Odor Reduction Capacity | 45,000 gals. (170,344 L) |
| Service Flow Rate | 4.5 gpm (17 lpm) |
| Sediment Reduction | 0.5 microns (nominal) |

Replacement Cartridge(s)

| Model | Part Number | Qty |
|---------|-------------|-----|
| CTO-Q10 | 300-05828 | 3 |

Options

| Model | Description | Part Number |
|-------------|----------------------|-------------|
| Fitting Kit | 1/2" PTC Fitting Kit | 575-92272 |

It is recommended that pre/post-filters and mineral addition cartridges are changed every 6 months, when capacity is reached or when feedwater pressure or flow becomes inadequate.

Membrane life varies depending on feedwater conditions and pre-filter maintenance. It is 12-18 months under typical conditions, but it can be as long as 3-5 years.

This product is for commercial use only and must be installed and maintained according to manufacturer's guidelines.

Do not use on water that is microbiologically unsafe or of unknown quality without adequate disinfection before or after the system.

OptiPure, A Division of Aquion, Inc.

101 S. Gary Ave., Suite A
Roselle, IL 60172

p: 972.881.9797 e: info@optipure.net
www.optipurewater.com