

# OptiPure

Model: **QT3MP**  
Part #: 170-52070

## Snapshot

The OptiPure QT3MP Multi-Point Filtration System provides a combination of filters to meet the requirements of different equipment applications including fountain beverages, ice and coffee. The first three Qwik-Twist cartridges reduce sediment down to 0.5-microns and chlorine, taste & odor at a combined flow rate of up to 6.75 gpm for 67,500-gallons. The fourth cartridge is a secondary filter that provides added scale protection with IsoNet® for ice machines and coffee brewers.

## System Benefits

- Reduces maintenance frequency and cost, and extends equipment life.
- Dual system outlets provide primary filtration for cold beverages and additional secondary filtration for ice machines and coffee brewers.
- Primary filtration protects against dirt, rust and other debris, makes water taste great and protects equipment against corrosive chlorine.
- Secondary filter provides the added protection of IsoNet®, OptiPure's patented scale inhibiting technology, which helps protect equipment against scale and corrosion for the rated capacity of the system.
- New manifold design provides fewer possible leak points.
- Compact design, heavy duty mounting bracket and multi-function valve simplify installation.
- Multi-function control valve provides:
  - \* Shutoff valve for quick and simple filter replacements
  - \* System bypass valve for easy system maintenance
  - \* Flush port to flush cartridges after installation
- Built-in pressure gauge allows visual monitoring of when filters need to be changed.
- Utilizes Qwik-Twist cartridges that make changing filters quick, easy and sanitary.
- NSF certified under standard 42.

ITEM #: \_\_\_\_\_ QTY: \_\_\_\_\_  
JOB NAME/NUMBER \_\_\_\_\_



## Application

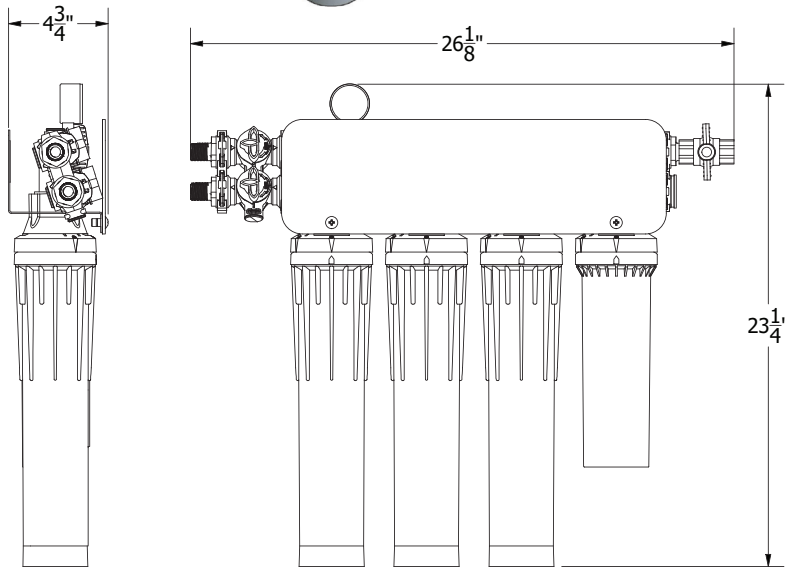
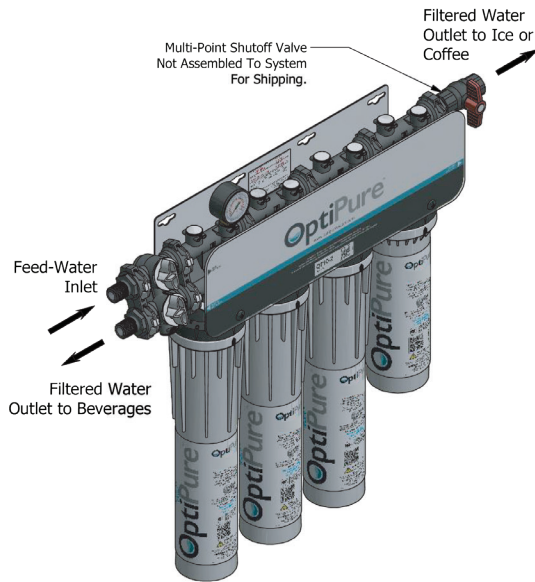
**COMBINATION APPLICATIONS** - For use with multiple equipment applications where combined filtration technologies are needed to provide water for different types of equipment including fountain and cold beverages, ice machines and coffee brewers.

## Installation Tips

- Feed-water connection to system should be COLD only.
- Do not exceed system specifications for temperature and pressure.
- Allow 3" clearance below system for filter cartridge removal and replacement.
- Detailed installation, operation and maintenance manual included with each system.
- No activation procedure or flushing required for system to perform as specified.

# OptiPure

Model: **QT3MP**  
Part #: 170-52070



**WARNING:**  
Cancer and Reproductive Harm -  
[www.P65Warnings.ca.gov](http://www.P65Warnings.ca.gov).



System tested and certified by NSF International to NSF/ANSI standard 42 for the reduction of Nominal Particulate Class I, Chlorine, Taste and Odor.

## ► Warranty

All system components and assembly except for filter cartridges, separation membranes, permeate pumps, electric motors, diaphragm pumps, and rotary vane pumps shall be warranted against defects in workmanship for a period of 60 months from the date of original shipment. For complete warranty information, contact OptiPure customer service or go to [www.optipurewater.com](http://www.optipurewater.com).

Dealer/Distributor Info:

## ► Specifications

System	
Dimensions (Height x Width x Depth, Inches)	23 1/4" x 26 1/8" x 4 3/4"
Connection - Inlet & Outlet	3/4" MNPT
Operating Pressure Range	10 - 125 psi (0.7 - 8.6 bar)
Inlet Water Temperature Range	35° - 100°F (2° - 38°C)
Shipping Weight	16 lbs.
Performance	
Chlorine, Taste and Odor Reduction Capacity	67,500 gals. (255,488 L)
Service Flow Rate	6.75 gpm (25.55 lpm)
Sediment Reduction	0.5 microns (nominal)
Scale & Corrosion Inhibitor	IsoNet (70 grams)

## ► Replacement Cartridge(s)

Model	Part Number	Qty
CTO-Q	300-05830	3
PTS-Q	300-05805	1

## ► Options

Model	Description	Part Number
Fitting Kit	1/2" PTC Fitting Kit	575-92272

It is recommended that pre/post-filters and mineral addition cartridges are changed every 6 months, when capacity is reached or when feedwater pressure or flow becomes inadequate.

Membrane life varies depending on feedwater conditions and pre-filter maintenance. It is 12-18 months under typical conditions, but it can be as long as 3-5 years.

This product is for commercial use only and must be installed and maintained according to manufacturer's guidelines.

Do not use on water that is microbiologically unsafe or of unknown quality without adequate disinfection before or after the system.

## OptiPure, A Division of Aquion, Inc.

101 S. Gary Ave., Suite A  
Roselle, IL 60172

p: 972.881.9797 e: [info@optipure.net](mailto:info@optipure.net)  
[www.optipurewater.com](http://www.optipurewater.com)